



PHENIX LED Saves

SOLAR GARDEN LIGHT



SASO UN38.3 IP66



Solar Garden Light

Power: 16W



Parameters

Power	16W
LED Chip	SMD 2835
Color Temperature	5000k-6500k (white, optional blue or green)
Light Output	16W
Light Efficacy	2500lm
Solar Panel Power	25W
Solar Panel (conversion rate)	18%
Charging Time	10-11 hours(6-7 hours full bright sun from zero)
Working Time	Bright mode: 18 hours DIM mode: 36 hours (3 rainy days backup)
DIM Mode (Default)	First 5 hours: 50% brightness, Last 5 hours in dimmable mode (2000lm with people, 200lm without people)
Beam Angle	360degree
Recommended Installation Height	3-5 meters
Recommended Installation Distance	10-20 meters
Required Pole Size	60mm(top end)
Battery	138.8WH
Warranty	2 years
Working Temperature	-20 °C to 60 °C

Features

1、 Double lens



2、 Professional landscape lighting distribution, 360 degree beam angle



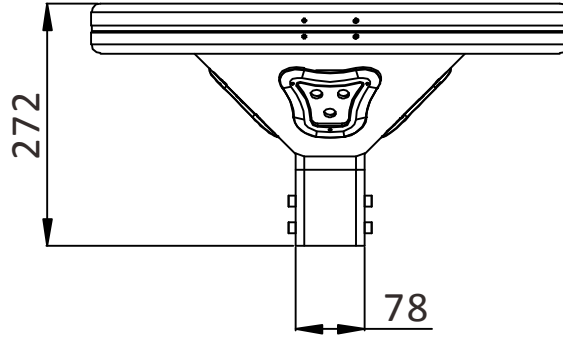
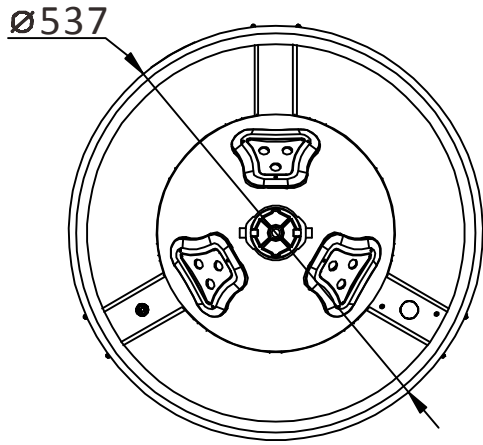
3、 Two working modes: energy saving mode and strong light mode

3、 Customizable lamp colors(red,green, blue, white).



Drawing

Unit: mm



Applications

