

# LED Highbay Light

## HBL-02-FA



### Better solutions for a Led Highbay Light

-  **IP65 water-proof**
-  **AC100-277V 50/60Hz**
-  **Easy Installation**
-  **135Lm/w**

### Options

<b>Power</b> MEAN WELL DRIVER HBG series A: Standard HBG series B: Dimmable 1-10V HBG series AB HLG series A: Standard (300W~500W) HLG series B: Dimmable 1-10V(300W~500W)	<b>Color</b> 3000K 4000K 5700K	<b>Beam Angle</b> 30° 50° 90° 120°
--	---	--



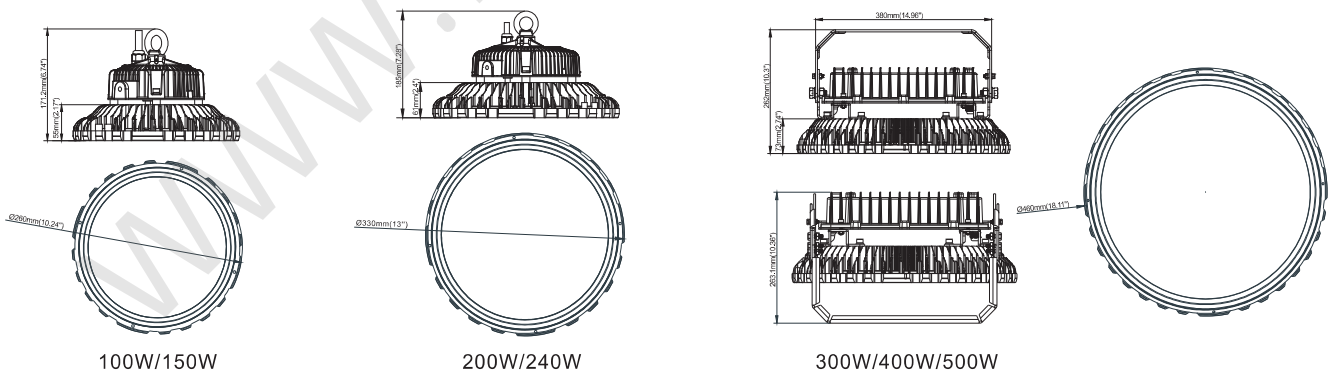
### Application

Factories, Steel Mills, Steel Smelting Plants, Farms, sport Facilities & Workshops, Storage Facilities & Warehouses, Supermarkets & Department Stores, Showrooms, Design Centers & Galleries.

### Specifications

Item	Power	Lumen	Leds	CRI	Weight	Beam Angle
BR-HBL100W-02-FA	100W	13500Lm	LUMILEDS 3030	>80	3.12kg	50° / 90° / 120°
BR-HBL150W-02-FA	150W	20250Lm	LUMILEDS 3030	>80	3.59kg	50° / 90° / 120°
BR-HBL200W-02-FA	200W	27000Lm	LUMILEDS 3030	>80	5.64kg	50° / 90° / 120°
BR-HBL240W-02-FA	240W	32400Lm	LUMILEDS 3030	>80	5.82kg	50° / 90° / 120°
BR-HBL300W-02-FA	300W	40500Lm	LUMILEDS 3030	>80	14.5kg	30° / 90° / 120°
BR-HBL400W-02-FA	400W	54000Lm	LUMILEDS 3030	>80	14.5kg	30° / 90° / 120°
BR-HBL500W-02-FA	500W	67500Lm	LUMILEDS 3030	>80	14.5kg	30° / 90° / 120°

### Dimensions(mm)



# HBL-02-FA

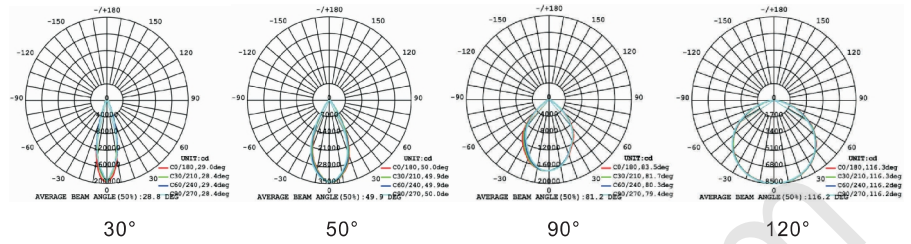
## Model Options



P1 Mounting Ring  
(Standard)

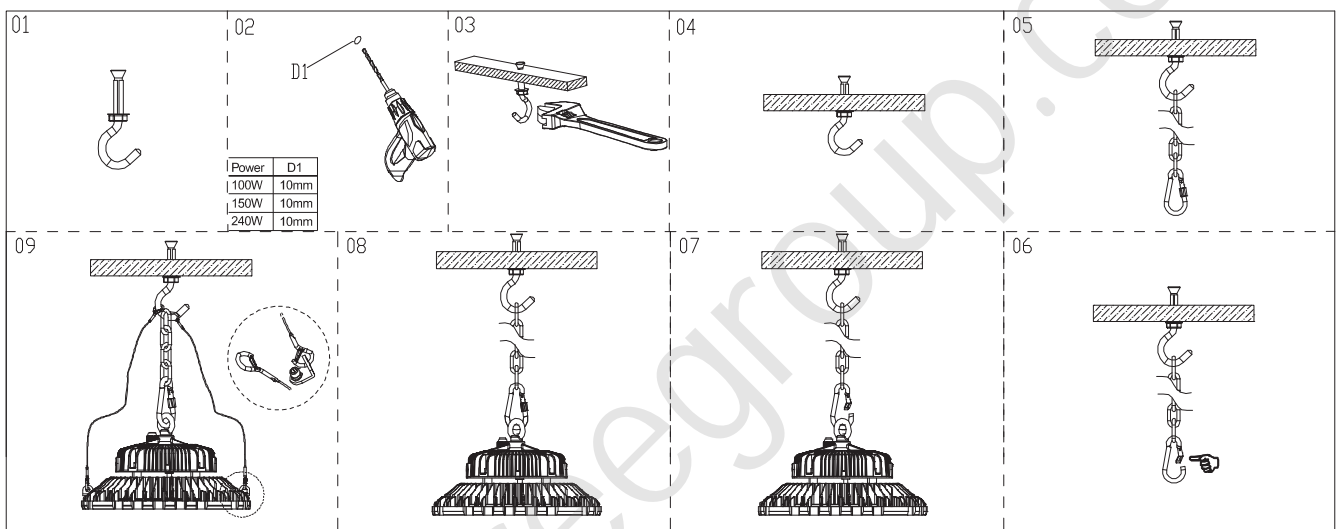


P2 Bracket

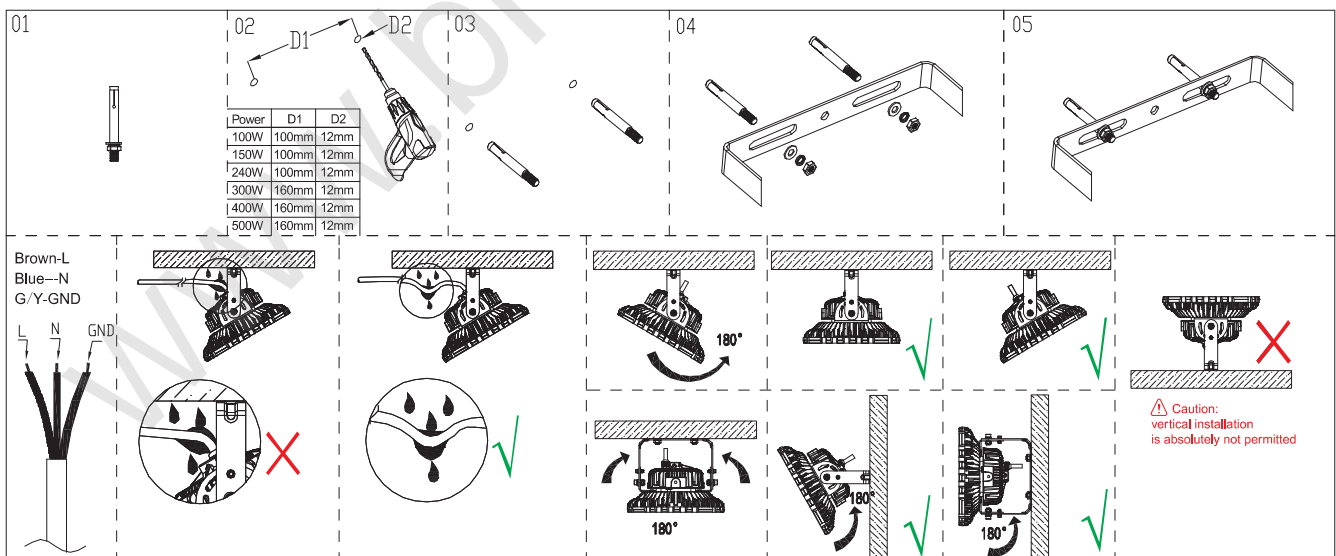


## Installation and use

### P1 Mounting Ring (Standard)



### P2 Bracket



## Packing Spec

Item	Box			Carton		
	Measurement(mm)	Gross weight	Pcs/box	Measurement(mm)	Gross weight	Pcs/box
BR-HBL100W/150W-02-FA	L420*W325*H315	5.27kg	1	/	/	/
BR-HBL200W/240W-02-FA	L420*W390*H315	7.53kg	1	/	/	/
BR-HBL300W/400W/500W-02-FA	L570*W570*H295	16.43kg	1	/	/	/