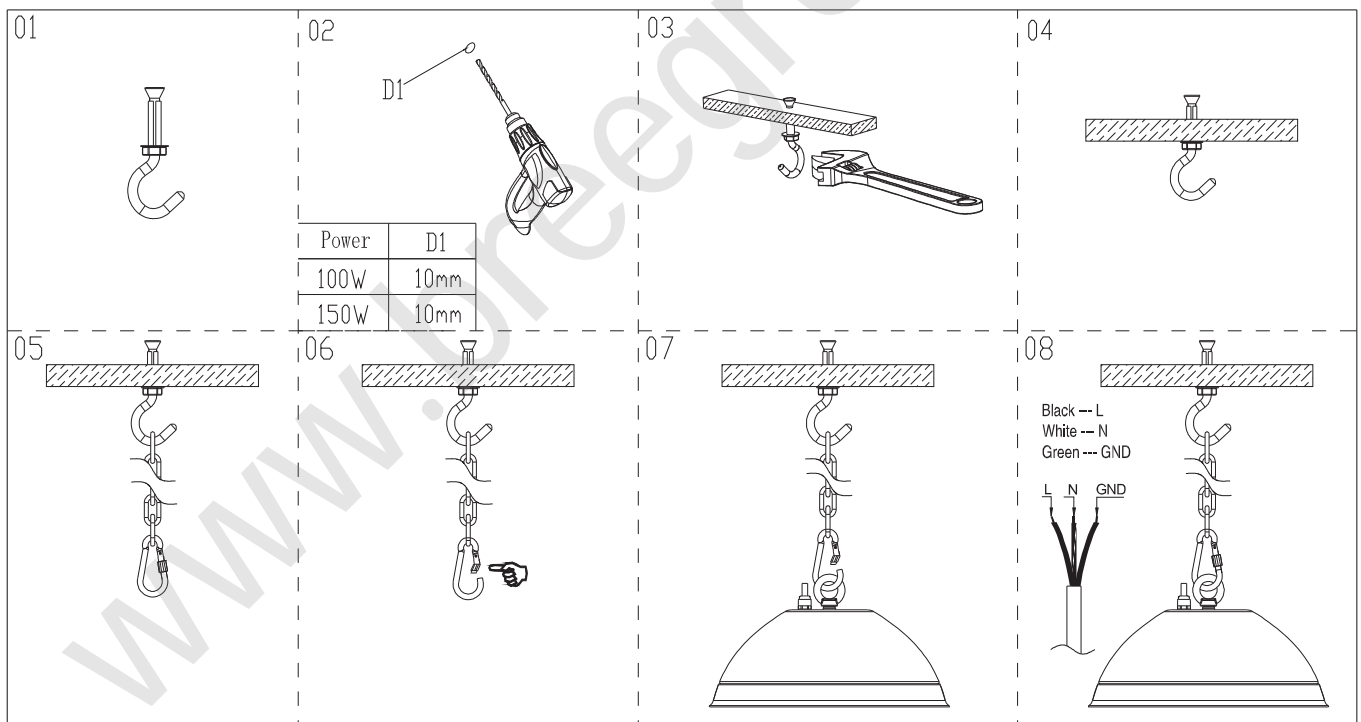




# HBL-02-G6



## Installation and use



## Packing Spec

Item	Box			Carton		
	Measurement(mm)	Gross weight	Pcs/box	Measurement(mm)	Gross weight	Pcs/box
BR-HBL80W/100W-02-G6	L440*W440*H245	5.78kg	1	/	/	/
BR-HBL120W-02-G6	L440*W440*H245	5.78kg	1	/	/	/
BR-HBL150W-02-G6	L440*W440*H245	5.78kg	1	/	/	/