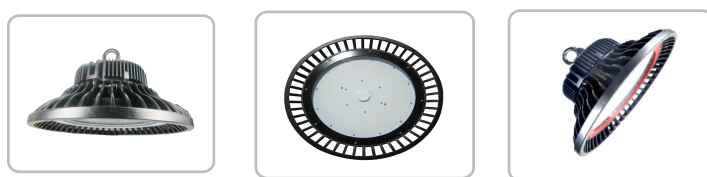


UFO High Bay Light

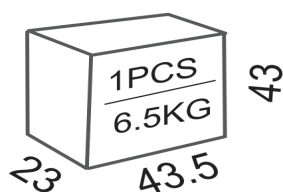
Technical Specifications

Material	Magnesium Alloy
Housing Color	Black
CCT	3000K/4000K/5000K/6000K
Input Voltage	AC100-240V
PF	>0.90
Efficiency	120-130lm/W
Light source	Philips SMD3030
IP rate	IP65
Warranty	5 years
Life span	50,000H
Certificates	SAA , C-Tick,CE,RoHS
Driver	MeanWell

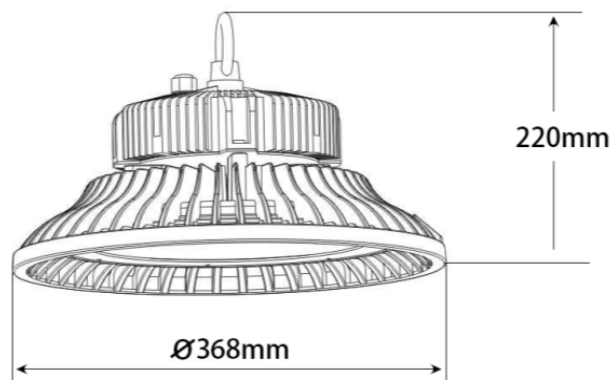


Packing Information:

Quantity per carton	1pcs/carton
Carton size	43.5*23*43cm
Weight	6.5KG



Dimension



Model NO.	Wattage	Voltage	CRI	Beam Angle	CCT	Lumens	Size
PLG-120W156LN	120W	AC100-240V	>70	120°	3000K/4000K/5000K/6000K	14400-15600lm	D368*H220mm
PLG-150W195LN	150W	AC100-240V	>70	120°	3000K/4000K/5000K/6000K	18000-19500lm	D368*H220mm
PLG-200W260LN	200W	AC100-240V	>70	120°	3000K/4000K/5000K/6000K	24000-26000lm	D368*H220mm